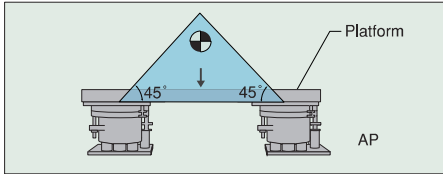


Notice in case of selecting a type of "AP Series" or designing a device that shall be mounted on "AP Series" :

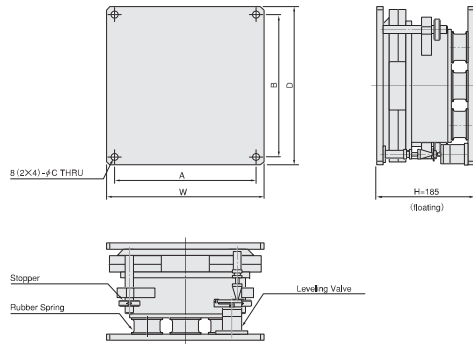
- Larger span between air springs is required.
- Make sure that the center of gravity of mounted devices (including its platform) must be in the area of pale blue triangle as the diagram below indicates.



- Select "AP Series" in consideration of the most one-sided load condition when works move. If you have any specification for platform vibration or settling time, consult us in advance. We are pleased to advise if you give us information such as mass, velocity, acceleration, and stroke of the moving object.
- There should be 10mm or more clearance when you set up a cover or so around the platform and loaded instruments.
- When you move a device in which vibration isolation systems are installed, be sure to confirm that the platform and pedestal/a base-plate are clamped.
- Select a higher stiffness type of a platform and pedestals/a base-plate in order to achieve a full performance of vibration isolation.
- Standard type of "AP Series" consists of four air springs. However, it is possible for you to select other type of "AP Series" that consists of six, eight, or more air springs. If you have some idea, please contact with us.

SPECIFICATIONS

Term	Type	AP-80	AP-100	AP-120	AP-140	AP-160	AP-180	AP-200	AP-230	AP-270	AP-330	AP-380
Natural frequency		2.5~3.0Hz (Vertical or Horizontal)										
Vibration isolation method		Air Suspension										
Damping method		Damping by Orifice										
Leveling Method		Automatic Leveling by mechanical air valve (Positioning Tolerance : +/-200 micrometers)										
Dimensions (mm)		170X170X185	180X180X185	200X200X185	210X210X185	240X240X185	250X250X185	260X260X185	300X300X185	320X320X185	370X370X185	430X430X185
Mass (kg per unit)		10,5	14	15	19	21	27,5	32	43,5	52	67,5	90
Payload Range (kgf)		560	880	1200	1700	2200	2800	3600	4600	6400	9600	13000
Installation Hole Interval : A(mm)x B(mm)		150X150	160X160	176X176	186X186	210X210	230X230	230X230	270X270	290X290	340X340	400X400
Diameter of Installation Hole : C(mm)		10	10	10	10	13	13	13	13	13	13	13
Accessories		A regulator with an air filter, Diameter 6 mm x 5 m length urethane tube (10 m in case of AP-200 or larger than AP-200), 2 pcs. of T-fitting										
Supplied Air Pressure (MPa)		0,40-0,70MPa (Air source : Compressed air by an air compressor, relieving a factory's piping of its air, or liquid nitrogen gas)										



※ All specifications are subject to change without notice.

Contact with

明立精機株式会社 MEIRITSU SEIKI Co., Ltd.

〒221-0031 横浜市神奈川区新浦島町 1-1-25
テクノウェイブ100ビル16階
☎(045) 453-5731 (代) FAX (045) 453-3381

Technowave 100 Bldg. 16F, 1-25, Shin-Urashimacho 1-cho-me,
Kanagawa-ku, Yokohama, 221-0031 JAPAN
PHONE+81-45-453-5731 FAX+81-45-453-3381
URL: <http://www.meiritsu.co.jp>
E-mail: info@meiritsu.co.jp

MEIRITSU Vibration Isolation & Optical Parts



VISOLATOR

Pneumatic vibration isolation system AP series



MQ-08-2E

MEIRITSU SEIKI Co., Ltd.

It is important that vibration isolation system has flexibility as well as excellent performance. Because it is the best way to install vibration isolation system that is tuned in on these precise machines. That is "AP Series" vibration isolation system that can be immediately adapted to your needs. In addition to the capacity for vibration isolation, "AP Series" has system extensibility too. This vibration isolation system, "AP Series" materializes an ideal vibration isolation environment.

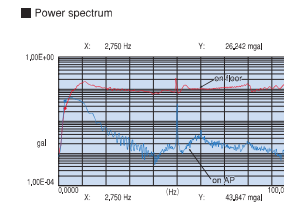
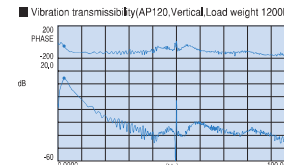


AP-80



The pneumatic vibration isolation systems of Meiritsu have stirring performance in actual achievement of the technology.

We adopted the pneumatic system with a lot of actual achievement in the variety field from microscopy or laser application technology to semiconductor manufacture /inspection devices. We assure you that you get excellent vibration isolation performance in the wide band of frequency from 3 Hz to hundreds Hz. And rubber installed in the lower part of air spring protects the precise mechanism of a mounted machine in case of supply stop of air.



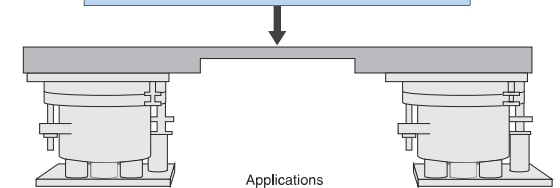
"AP Series" is a unit type of a versatile system.

When a vibration isolation system is installed in a machine, it is required to occupy less space of the machine. "AP Series" is a compact shaped unit type of isolation system that is composed of an air spring and a mechanical leveling valve. You can install "AP Series" in a device without modifying the structure of the device on a large scale and can get good vibration isolation performance.

All the height of "AP Series" is standardized to 185mm.

All the height of "AP Series" is standardized to 185mm. Even if you have to increase or decrease the mass of your machine, you can fit the other type of "AP Series" without changing the height of installing space of your machine.

- Semiconductor Manufacturing/Inspection Equipment
- LCD Manufacturing/Inspection Equipment
- Scanning Electron Microscope (SEM)
- Scanning Probe Microscope (SPM)
- Laser Processing Machines
- Coordinate Measuring Instruments/Machines
- Ultra-Precision Non-Axisymmetric Generator
- Precision Processing Machines



"AP Series" covers a wide range of loading mass.

Abundant variety and purpose of precise machines that need vibration isolation system grow increasingly diverse. In order to respond to the requirement, we provide 11 types of "AP Series" from "AP-80" to "AP-380". You can select suitable one from "AP Series" even if a precision machine has a weight of hundreds kilograms or more than 10 tons.

High performance for a movement of the load.

In case of works handling, flat panel transferring, and stage movement of an automatic processing/measurement machine, position repeatability is required even when supported by air springs as elastic bodies.

"AP Series" has a high sensitive leveling valve as its standard developed by Meiritsu. The positioning repeatability is within ± 200 micrometers.

And it is often said that the faster stages moves, the more problems of shakiness occur. These are as we say pitching, yawing, or rolling.

If you choose optional two-step-type of leveling valves, you can shorten the settling time.

And you can get positioning repeatability within ± 100 micrometers as the limit sensitivity of passive type of isolation system.

Be sure to make contact with us in advance if there is specification or aim for settling time.

You can use "AP Series" in clean rooms, too.

When "AP Series" is used in a high level clean room, you can choose leveling valves for clean room that can exhaust air to put together into a tube for evacuation. Please contact us about details because it is a special order. And note that two-step-type of leveling valve is not available for clean rooms.

